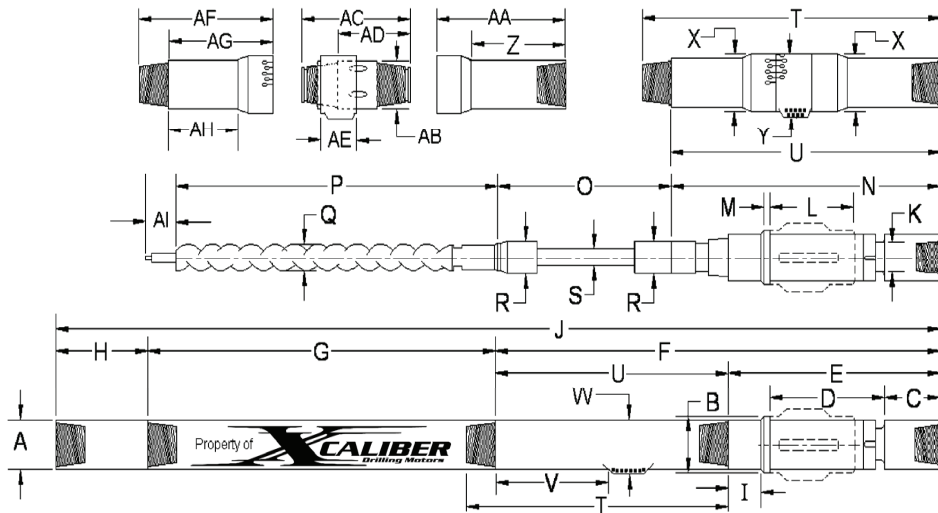


Fishing Specifications



MOTOR TYPE	Fishing Drawing Specifications (in)																			
	375-1:2-4-4	375-5:6-3	375-9:10-4	475-5:6-3	475-5:6-4	475-5:6-5	475-5:6-6	475-7:8-3	475-9:10-4	650-5:6-4	650-5:6-5	650-5:6-6	650-7:8-4-8	650-9:10-3-7	650-9:10-4	675-5:6-4	675-5:6-5			
A	3.8	3.8	3.8	4.7	4.7	4.7	4.7	4.7	4.7	6.5	6.5	6.5	6.5	6.5	6.5	6.8	6.8			
B	4.1	4.1	4.1	5.4	5.4	5.4	5.4	5.4	5.4	7.4	7.4	7.4	7.4	7.4	7.4	7.7	7.7			
C	6.9	6.9	6.9	7.9	7.9	7.9	7.9	7.9	7.9	9.2	9.2	9.2	9.2	9.2	9.2	9.2	9.2			
D	8.5	8.5	8.5	13.8	13.8	13.8	13.8	13.8	13.8	21.4	21.4	21.4	21.4	21.4	21.4	21.2	21.2			
E	26.7	26.7	26.7	30.0	30.0	30.0	30.0	30.0	30.0	41.0	41.0	41.0	41.0	41.0	41.0	43.8	43.8			
F	61.0	61.0	61.0	70.7	70.7	70.7	70.7	70.7	70.7	97.6	97.6	97.6	97.6	97.6	97.6	98.7	98.7			
G	82.7	82.7	82.7	118.9	100.3	125.3	150.4	100.3	154.5	152.2	181.1	214.6	203.2	212.5	152.5	148.8	181.5			
H	9.6	9.6	9.6	12.0	12.0	12.0	12.0	12.0	12.0	15.7	15.7	15.7	15.7	15.7	15.7	15.3	15.3			
I	N/A	N/A	N/A	4.0	4.0	4.0	4.0	4.0	4.0	0.0	0.0	0.0	0.0	0.0	0.0	9.0	9.0			
J	153.3	153.3	153.3	201.6	183.0	208.0	233.1	183.0	239.5	265.6	294.4	327.9	316.5	326.2	266.2	262.8	296.6			
K	2.5	2.5	2.5	3.3	3.3	3.3	3.3	3.3	3.3	4.6	4.6	4.6	4.6	4.6	4.6	4.9	4.9			
L	6.5	6.5	6.5	11.5	11.5	11.5	11.5	11.5	11.5	16.3	16.3	16.3	16.3	16.3	16.3	16.7	16.7			
M	0.4	0.4	0.4	0.6	0.6	0.6	0.6	0.6	0.6	1.2	1.2	1.2	1.2	1.2	1.2	1.4	1.4			
N	32.1	32.1	32.1	32.0	32.0	32.0	32.0	32.0	32.0	48.1	48.1	48.1	48.1	48.1	48.1	50.8	50.8			
O	27.2	27.2	27.2	35.0	35.0	35.0	35.0	35.0	35.0	46.9	46.9	46.9	46.9	46.9	46.9	48.3	48.3			
P	78.7	78.7	78.7	115.7	96.1	120.1	144.1	96.1	151.0	146.5	175.4	208.7	194.2	208.5	146.5	144.3	175.6			
Q	2.8	2.8	2.8	2.8	2.8	2.8	2.8	2.8	2.8	3.8	3.8	3.8	3.8	3.8	3.8	4.2	4.2			
R	2.6	2.6	2.6	3.3	3.3	3.3	3.3	3.3	3.3	4.4	4.4	4.4	4.4	4.4	4.4	4.7	4.7			
S	1.3	1.3	1.3	1.7	1.7	1.7	1.7	1.7	1.7	2.4	2.4	2.4	2.4	2.4	2.4	2.6	2.6			
T	37.4	37.4	37.4	44.6	44.6	44.6	44.6	44.6	44.6	61.0	61.0	61.0	61.0	61.0	61.0	60.2	60.2			
U	34.4	34.4	34.4	41.1	41.1	41.1	41.1	41.1	41.1	57.0	57.0	57.0	57.0	57.0	57.0	56.0	56.0			
V	Ø	Ø	Ø	Ø	Ø	Ø	Ø	Ø	Ø	Ø	Ø	Ø	Ø	Ø	Ø	Ø	Ø			
W	Ø	Ø	Ø	Ø	Ø	Ø	Ø	Ø	Ø	Ø	Ø	Ø	Ø	Ø	Ø	Ø	Ø			
X	4.1	4.1	4.1	4.7	4.7	4.7	4.7	4.7	4.7	N/A	N/A	N/A	N/A	N/A	N/A	7.2	7.2			
Y	4.2	4.2	4.2	5.2	5.2	5.2	5.2	5.2	5.2	6.8	6.8	6.8	6.8	6.8	6.8	7.4	7.4			
Z	N/A	N/A	N/A	N/A	N/A	N/A	N/A	N/A	N/A	N/A	N/A	N/A	N/A	N/A	N/A	N/A	N/A			
AA	15.0	15.0	15.0	18.1	18.1	18.1	18.1	18.1	18.1	32.6	32.6	32.6	32.6	32.6	32.6	29.6	29.6			
AB	3.2	3.2	3.2	3.9	3.9	3.9	3.9	3.9	3.9	5.2	5.2	5.2	5.2	5.2	5.2	5.7	5.7			
AC	11.1	11.1	11.1	13.3	13.3	13.3	13.3	13.3	13.3	14.2	14.2	14.2	14.2	14.2	14.2	13.6	13.6			
AD	7.1	7.1	7.1	8.4	8.4	8.4	8.4	8.4	8.4	9.0	9.0	9.0	9.0	9.0	9.0	8.8	8.8			
AE	3.1	3.1	3.1	3.6	3.6	3.6	3.6	3.6	3.6	4.0	4.0	4.0	4.0	4.0	4.0	4.1	4.1			
AF	20.0	20.0	20.0	21.5	21.5	21.5	21.5	21.5	21.5	24.4	24.4	24.4	24.4	24.4	24.4	27.1	27.1			
AG	16.8	16.8	16.8	18.0	18.0	18.0	18.0	18.0	18.0	20.4	20.4	20.4	20.4	20.4	20.4	22.8	22.8			
AH	15.2	15.2	15.2	N/A	N/A	N/A	N/A	N/A	N/A	N/A	N/A	N/A	N/A	N/A	N/A	16.8	16.8			
AI	8.5	8.5	8.5	9.2	9.2	9.2	9.2	9.2	9.2	12.5	12.5	12.5	12.5	12.5	12.5	12.5	12.5			

